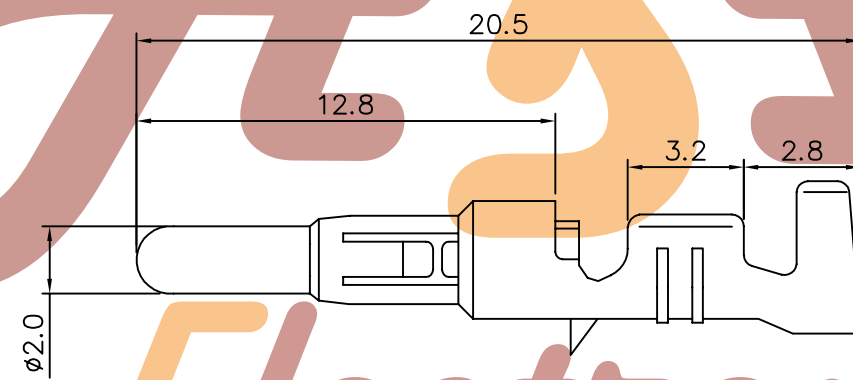


SPECIFICATIONS

Current Rating : 1.5A AC,DC
 Voltage Rating : 300V AC,DC
 Withstand Voltage :1500V AC/Minute
 Insulation Resistance :1000Megohms Min.
 Temperature Range :-25°C~+90°C
 Applicable Wire : AWG #20~#14, Q'ty :3500Pcs/Reel
 AWG #24~#20,Q'ty:5000Pcs/Reel
 Material : Phosphor Bronze
 Tin Plated Or Gold Flash



AsA Electronic

AsA Electronic
 WWW.AsA-Elec.com
 AsA Electronic Co.
 Tel : (+98) 21 66 73 56 82 Mob : (+98) 912 03 161 02

DRAWING No.		APPROVED BY		UNLESS OTHERWISE SPECIFIED TOLERANCES ARE .X ±0.38 .XX ±0.25 ANG.
02450		MEI		
		CHECKED BY		
		RAN		
		DRAWING BY		
		HZF		
SCALE	NONE	REV.	A	UNIT mm

AREA	REVISIONS	CHK	DATE